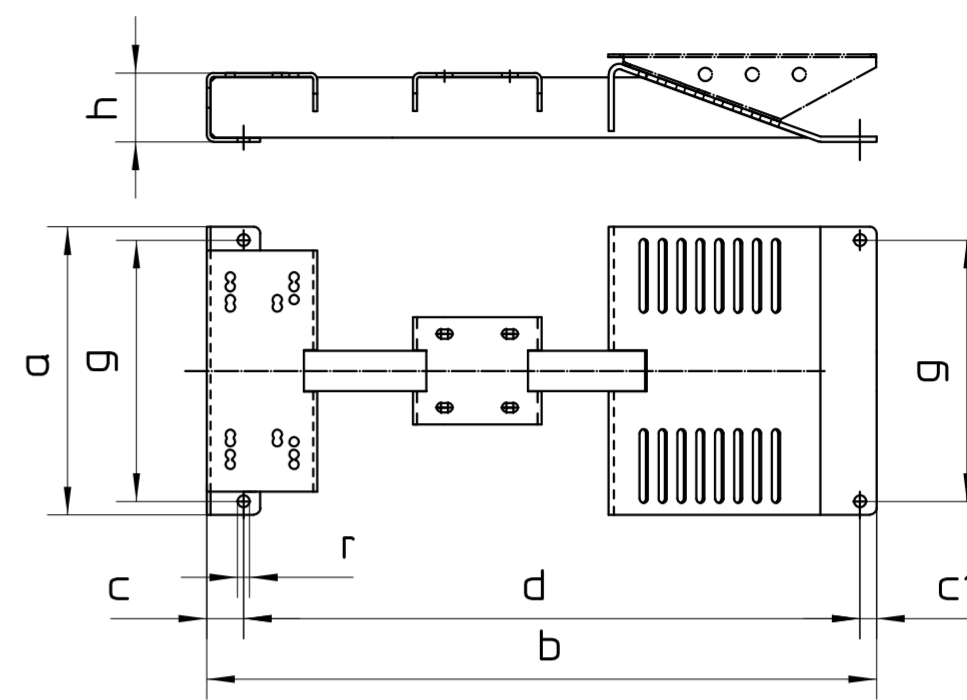


Grandezza IEC Size	2900 min <sup>-1</sup>		1450 min <sup>-1</sup>		960 min <sup>-1</sup>		750 min <sup>-1</sup>	
	kW	CV	kW	CV	kW	CV	kW	CV
80	0.75	1	0.55	0.75	0.37	0.5		
	1.1	1.5	0.75	1	0.55	0.75		
90S	1.5	2	1.1	1.5	0.75	1		
90L	2.2	3	1.5	2	1.1	1.5		
100L	3	4	2.2	3	1.5	2	0.75	1
			3	4			1.1	1.5
112M	4	5.5	4	5.5	2.2	3	1.5	2
132S	5.5	7.5	5.5	7.5	3	4	2.2	3
	7.5	10						
132M	9	12.5	7.5	10	4	5.5	3	4
			9	12.5	5.5	7.5		
160M	11	15	11	15	7.5	10	4	5.5
	15	20					5.5	7.5
160L	18.5	25	15	20	11	15	7.5	10
180M	22	30	18.5	25				
180L			22	30	15	20	11	15
200L	30	40	30	40	18.5	25	15	20
	37	50			22	30		
225S			37	50			18.5	25
225M	45	60	45	60	30	40	22	30
250M	55	75	55	75	37	50	30	40
280S	75	100	75	100	45	60	37	50
280M	90	125	90	125	55	75	45	60
315S	110	150	110	150	75	100	55	75
315M	132	180	132	180	90	125	75	100



DIS. N. Drwg. n.	axb	c	c1	d	g	h	r	N. FORI Holes n.	MASSA Weight kg
<b>A</b> 317964	350 x 890	55	25	810	310	103	18	4	20
<b>B</b> 317965	430 x 990	55	25	910	390	103	18	4	24
<b>C</b> 317966	480 x 1200	70	30	1100	440	137	18	4	38
<b>D</b> 317967	520 x 1300	70	30	1200	480	137	18	4	45

FLANGE : UNI EN 1092-1 PN 16  
 FLANGES :

Grandezza Size	DN <sub>A</sub>	DN <sub>M</sub>	a1	f	h2	s	IEC Size Basamento Baseplate				IEC Size Basamento Baseplate				IEC Size Basamento Baseplate				IEC Size Basamento Baseplate				IEC Size Basamento Baseplate																															
							l	h3	Massa Weight	IEC Size	Basamento Baseplate	l	h3	Massa Weight	IEC Size	Basamento Baseplate	l	h3	Massa Weight	IEC Size	Basamento Baseplate	l	h3	Massa Weight	IEC Size	Basamento Baseplate	l	h3	Massa Weight																									
RN 32-125	50	32	80	385	140	70	80	A	900	215	53	90	A	930	215	53	100	A	930	215	53	112	A	930	230	53																												
RN-RKN 32-160	50	32	80	385	160	70	80	A	900	235	57	90	A	930	235	57	100	A	930	235	57	112	A	930	235	57	132	A	960	250	57																							
RN-RKN 32-200	50	32	80	385	180	70	80	A	900	263	63	90	A	930	263	63	100	A	930	263	63	112	A	930	263	63	132	A	960	263	63	160	B	1120	293	67																		
RN 40-250	50	32	100	500	225	82	90	B	1020	283	95	100	B	1020	283	95	112	B	1020	283	95	132	C	1235	317	110	160	C	1245	317	110	180	C	1330	317	110	200	C	1350	362	110													
RN-RKN 40-160	65	40	80	385	160	70	90	A	930	235	58	100	A	930	235	58	112	A	930	235	58	132	A	960	250	58	160	B	1150	275	62																							
RN-RKN 40-200	65	40	100	385	180	70	90	A	930	263	63	100	A	930	263	63	112	A	930	263	63	132	A	960	263	63	160	B	1150	293	67																							
RN 40-250	65	40	100	500	225	82	90	B	1020	283	95	100	B	1020	283	95	112	B	1020	283	95	132	C	1235	317	110	160	C	1245	317	110	180	C	1330	347	110	200	C	1350	362	110													
RN 40-315	65	40	125	500	250	87	100	C	1245	337	125	112	C	1245	337	125	132	C	1235	337	125	160	C	1245	337	125	180	C	1330	337	125	200	C	1360	367	125	225	D	1460	396	133													
RN 50-125	80	50	100	385	160	70	80	A	930	235	60	90	A	960	235	60	100	A	960	235	60	112	A	960	235	60	132	A	960	250	60																							
RN-RKN 50-160	80	50	100	385	180	70	90	A	930	263	62	100	A	930	263	62	112	A	960	263	62	132	A	960	263	62	160	B	1150	293	66																							
RN-RKN 50-200	80	50	100	385	200	70	90	A	930	263	67	100	A	930	263	67	112	A	960	263	67	132	A	960	263	67	160	B	1150	293	71	180	B	1200	303	71																		
RN 50-250	80	50	125	500	225	82	90	B	1020	283	98	100	B	1020	283	98	112	B	1020	283	98	132	C	1235	317	112	160	C	1235	317	112	180	C	1330	347	112	200	C	1350	362	112													
RN 50-315	80	50	125	500	280	87	100	C	1260	362	130	112	C	1260	362	130	132	C	1260	362	130	160	C	1260	362	130	180	C	1360	362	130	200	C	1370	362	138	225	D	1470	392	138													
RN 65-125	100	65	100	385	180	82	90	A	900	263	67	100	A	900	263	67	112	A	900	263	67	132	A	970	263	67	160	B	1120	278	71																							
RN 65-160	100	65	100	500	200	82	90	B	1020	263	86	100	B	1020	263	86	112	B	1020	263	86	132	B	1120	263	86	160	C	1245	312	100	180	C	1330	342	100	200	C	1360	357	100													
RN 65-200	100	65	100	500	225	82	90	B	1020	283	95	100	B	1020	283	95	112	B	1020	283	95	132	C	1245	317	110	160	C	1245	317	110	180	C	1330	347	110	200	C	1350	362	110													
RN 65-250	100	65	125	500	250	100	90	C	1245	337	118	100	C	1245	337	118	112	C	1245	337	118	132	C	1245	337	118	160	C	1280	337	118	180	C	1350	337	118	200	C	1360	357	118	225	D	1460	397	125								
RN 80-160	125	80	125	500	225	82	90	B	1040	283	93	100	B	1040	283	93	112	B	1040	283	93	132	C	1140	317	107	160	C	1280	317	107	180	C	1330	347	107	200	C	1350	362	107													
RN 80-200	125	80	125	500	250	82	90	B	1040	283	98	100	B	1040	283	98	112	B	1040	283	98	132	C	1140	317	112	160	C	1280	317	112	180	C	1330	347	112	200	C	1350	362	112													
RN 80-250	125	80	125	500	280	100	90	C	1245	362	128	100	C	1245	362	128	112	C	1245	362	128	132	C	1245	362	128	160	C	1245	362	128	180	C	1330	362	128	200	C	1360	362	128	225	D	1460	402	135								
RN 100-200	125	100	125	500	280	100	90	C	1245	337	128	100	C	1245	337	128	112	C	1245	337	128	132	C	1245	337	128	160	C	1280	337	128	180	C	1350	337	128	200	C	1360	357	128	225	D	1460	397	135								

(1) Quota indicativa che puo' variare in funzione della marca del motore. Quote non impegnative in mm. Masse in kg esclusi motori.  
 Not binding dimension that can change according to motor make. Not binding dimensions in mm. Unit weights in kg without el. motors.



43100 Parma - Italy - via S.Leonardo, 71/A Telefono 0521-274911  
 Fax 0521-771242 - Telex 530158 ROBUSKI - cas. post. 8 succ. 8  
 Filiale di Milano Telefono 02-29404130 - Fax 02-29514684

La Robuschi, si riserva di apportare senza preavviso qualsiasi cambiamento rivolto a un continuo miglioramento dei suoi prodotti.

It is policy of Robuschi to always improve its products and the right is reserved to alter specifications at any time without prior notice.